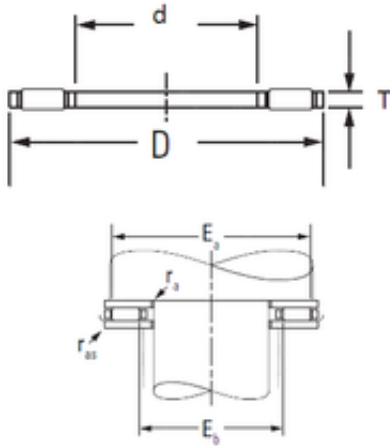




Zhongtian Bearing Co. Ltd

thrust bearing type: Koyo NRB FNTA-3047
Needle Roller Thrust Bearings



Bearing No. FNTA-3047

FNTA-3047 Bearing 2D drawings and 3D CAD models

Size	30x47x2 mm
Bore Diameter	30 mm
Outer Diameter	47 mm
Width	2 mm
d	30 mm
D	47 mm
T	2 mm
ra max.	0.6 mm
Ea	46.0 mm
Eb	32.0 mm
Weight	0.009 Kg
Basic dynamic load rating (C)	18.6 kN
Basic static load rating (C0)	82.4 kN
Category	Thrust Roller Bearing
Inventory	4.0
Manufacturer Name	KOYO
Minimum Buy Quantity	N/A
Weight / Kilogram	0.009
EAN	0605790207655
Product Group	B04144
Rolling Element	Needle Roller Bearing
Self Aligning	No
Component Description	Roller Assembly Only
Thrust Bearing	Yes
Single or Double Direction	Single Direction



Zhongtian Bearing Co. Ltd

Banded	No
Cage Material	Steel
Precision Class	ABEC 1 ISO P0
Other Features	Single Row Two Piece Cage
Long Description	30MM Bore 1; 30MM Bore 2; 47MM Outside Diameter; 2MM Height; Needle Roller Bearing; Single Direction; Not Self Aligning; Not Banded; Steel Cage; ABEC 1 ISO P0; Roller Assembly Only
Inch - Metric	Metric
Category	Thrust Roller Bearings
UNSPSC	31171500
Harmonized Tariff Code	8482.99.25.40
Noun	Roller Assembly
Keyword String	Thrust Needle
Manufacturer URL	http://www.koyousa.com
Manufacturer Item Number	FNTA-3047
Weight / LBS	0.02
Bore 1	1.181 Inch 30 Millimeter
Bore 2	1.181 Inch 30 Millimeter
Outside Diameter	1.85 Inch 47 Millimeter
Overall Height with Aligning Washer	0 Inch 0 Millimeter
Height	0.079 Inch 2 Millimeter
Bearing No.	FNTA-3047
Dc1	30
Dc	47
Dw	2
Ca	18.6
C0a	82.4
Cu	8.65



Zhongtian Bearing Co. Ltd

Oil lub.	8900
ra(max)	0.6
(Refer.)Mass(kg)	0.009
D,d1	47
D1	32
h1	1.00 mm
Washer designation	AS3047
(Refer.)Mass(kg)	0.008
h	3.00 mm
a	1.00 mm
Washer designation	LS3047
(Refer.)Mass(kg)	0.023
h	3.00 mm
rs(min)	0.60
Washer designation Shaft piloted	WS.81106
Washer designation Housing piloted	GS.81106
(Refer.)Mass(kg)	0.023