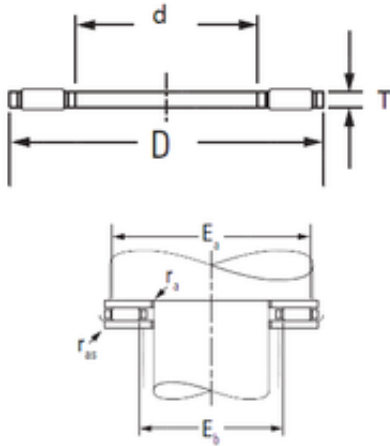




Zhongtian Bearing Co. Ltd



FNT-2542 Bearing 2D drawings and 3D CAD models

cage material: Koyo NRB FNT-2542 Needle Roller Thrust Bearings

Bearing No. FNT-2542

Size	25x42x2 mm
Bore Diameter	25 mm
Outer Diameter	42 mm
Width	2 mm
d	25 mm
D	42 mm
T	2 mm
ra max.	0.6 mm
Ea	41.0 mm
Eb	27.0 mm
Weight	0.008 Kg
Basic dynamic load rating (C)	18.0 kN
Basic static load rating (C0)	75.3 kN
Category	Thrust Roller Bearing
Inventory	0.0
Manufacturer Name	KOYO
Minimum Buy Quantity	N/A
Weight / Kilogram	0.007
EAN	0605790198939
Product Group	B04144
Rolling Element	Needle Roller Bearing
Self Aligning	No
Component Description	Roller Assembly Only
Thrust Bearing	Yes
Single or Double Direction	Single Direction



Zhongtian Bearing Co. Ltd

Banded	No
Cage Material	Steel
Precision Class	ABEC 1 ISO P0
Other Features	Single Row Two Piece Cage
Long Description	25MM Bore 1; 25MM Bore 2; 42MM Outside Diameter; 2MM Height; Needle Roller Bearing; Single Direction; Not Self Aligning; Not Banded; Steel Cage; ABEC 1 ISO P0; Roller Assembly Only
Inch - Metric	Metric
Category	Thrust Roller Bearings
UNSPSC	31171500
Harmonized Tariff Code	8482.99.25.40
Noun	Roller Assembly
Keyword String	Thrust Needle
Manufacturer URL	http://www.koyousa.com
Manufacturer Item Number	FNT-2542
Weight / LBS	0.018
Outside Diameter	1.654 Inch 42 Millimeter
Bore 1	0.984 Inch 25 Millimeter
Bore 2	0.984 Inch 25 Millimeter
Height	0.079 Inch 2 Millimeter
Overall Height with Aligning Washer	0 Inch 0 Millimeter
Bearing No.	FNT-2542
Dc1	25
Dc	42
Dw	2
Ca	18.0
C0a	75.3
Cu	8.05



Zhongtian Bearing Co. Ltd

Oil lub.	9700
ra(max)	0.6
(Refer.)Mass(kg)	0.008
D,d1	42
D1	26
h1	1.00 mm
Washer designation	AS2542
(Refer.)Mass(kg)	0.007
h	3.00 mm
a	1.00 mm
Washer designation	LS2542
(Refer.)Mass(kg)	0.021
h	3.00 mm
rs(min)	0.60
Washer designation Shaft piloted	WS.81105
Washer designation Housing piloted	GS.81105
(Refer.)Mass(kg)	0.021