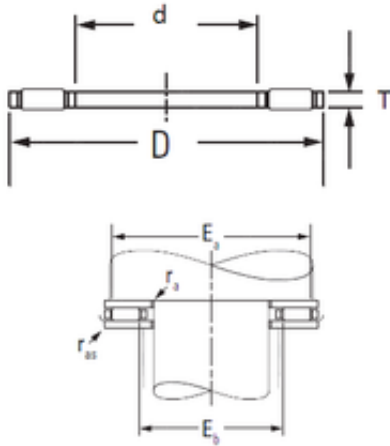




# Zhongtian Bearing Co. Ltd

series: Koyo NRB AXK120155 Needle Roller Thrust Bearings



Bearing No. AXK120155

AXK120155 Bearing 2D drawings and 3D CAD models

Size	120x155x4 mm
Bore Diameter	120 mm
Outer Diameter	155 mm
Width	4 mm
d	120 mm
D	155 mm
T	4 mm
ra max.	0.6 mm
Ea	153.0 mm
Eb	125.0 mm
Weight	0.126 Kg
Basic dynamic load rating (C)	98.5 kN
Basic static load rating (C0)	650 kN
Category	Thrust Roller Bearing
Inventory	0.0
Manufacturer Name	KOYO
Minimum Buy Quantity	N/A
Weight / Kilogram	0.13
EAN	0060579019784
Product Group	B04144
Rolling Element	Needle Roller Bearing
Self Aligning	No
Component Description	Roller Assembly Only
Thrust Bearing	Yes
Single or Double Direction	Single Direction



## Zhongtian Bearing Co. Ltd

Banded	No
Cage Material	Steel
Precision Class	ABEC 1   ISO P0
Other Features	Single Row   One Piece Cage
Long Description	120MM Bore 1; 120MM Bore 2; 155MM Outside Diameter; 4MM Height; Needle Roller Bearing; Single Direction; Not Self Aligning; Not Banded; Steel Cage; ABEC 1   ISO P0; Roller Assembly Only
Inch - Metric	Metric
Category	Thrust Roller Bearings
UNSPSC	31171500
Harmonized Tariff Code	8482.99.25.40
Noun	Roller Assembly
Keyword String	Thrust Needle
Manufacturer URL	<a href="http://www.koyousa.com">http://www.koyousa.com</a>
Manufacturer Item Number	AXK120155
Weight / LBS	0.278
Bore 1	4.724 Inch   120 Millimeter
Overall Height with Aligning Washer	0 Inch   0 Millimeter
Height	0.157 Inch   4 Millimeter
Bore 2	4.724 Inch   120 Millimeter
Outside Diameter	6.102 Inch   155 Millimeter
Bearing No.	AXK120155
Dc1	120
Dc	155
Dw	4
Ca	98.5
C0a	650
Cu	63.5



## Zhongtian Bearing Co. Ltd

Oil lub.	2700
ra(max)	0.6
(Refer.)Mass(kg)	0.126
D,d1	155
D1	-
h1	1.00 mm
Washer designation	AS120155
(Refer.)Mass(kg)	0.059
h	- mm
a	- mm
Washer designation	-
(Refer.)Mass(kg)	-
h	- mm
rs(min)	-
Washer designation Shaft piloted	-
Washer designation Housing piloted	-
(Refer.)Mass(kg)	-