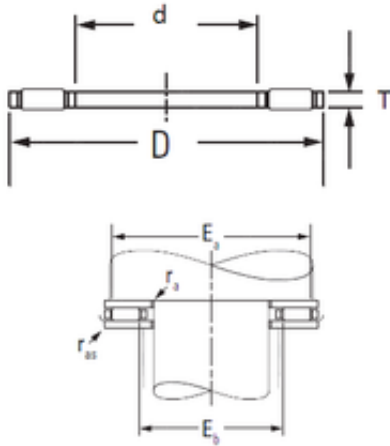




Zhongtian Bearing Co. Ltd

static load capacity: Koyo NRB FNT-1528
Needle Roller Thrust Bearings



Bearing No. FNT-1528

FNT-1528 Bearing 2D drawings and 3D CAD models

Size	15x28x2 mm
Bore Diameter	15 mm
Outer Diameter	28 mm
Width	2 mm
d	15 mm
D	28 mm
T	2 mm
ra max.	0.3 mm
Ea	27.0 mm
Eb	17.0 mm
Weight	0.004 Kg
Basic dynamic load rating (C)	10.2 kN
Basic static load rating (C0)	31.3 kN
Category	Thrust Roller Bearing
Inventory	0.0
Manufacturer Name	KOYO
Minimum Buy Quantity	N/A
Weight / Kilogram	0.004
EAN	0605790253188
Product Group	B04144
Rolling Element	Needle Roller Bearing
Self Aligning	No
Component Description	Roller Assembly Only
Thrust Bearing	Yes
Single or Double Direction	Single Direction



Zhongtian Bearing Co. Ltd

Banded	No
Cage Material	Steel
Precision Class	ABEC 1 ISO P0
Other Features	Single Row Two Piece Cage
Long Description	15MM Bore 1; 15MM Bore 2; 28MM Outside Diameter; 2MM Height; Needle Roller Bearing; Single Direction; Not Self Aligning; Not Banded; Steel Cage; ABEC 1 ISO P0; Roller Assembly Only
Inch - Metric	Metric
Category	Thrust Roller Bearings
UNSPSC	31171500
Harmonized Tariff Code	8482.99.25.40
Noun	Roller Assembly
Keyword String	Thrust Needle
Manufacturer URL	http://www.koyousa.com
Manufacturer Item Number	FNT-1528
Weight / LBS	0.009
Outside Diameter	1.102 Inch 28 Millimeter
Height	0.079 Inch 2 Millimeter
Bore 2	0.591 Inch 15 Millimeter
Overall Height with Aligning Washer	0 Inch 0 Millimeter
Bore 1	0.591 Inch 15 Millimeter
Bearing No.	FNT-1528
Dc1	15
Dc	28
Dw	2
Ca	10.2
C0a	31.3
Cu	3.00



Zhongtian Bearing Co. Ltd

Oil lub.	15000
ra(max)	0.3
(Refer.)Mass(kg)	0.004
D,d1	28
D1	16
h1	1.00 mm
Washer designation	AS1528
(Refer.)Mass(kg)	0.003
h	2.75 mm
a	0.50 mm
Washer designation	LS1528
(Refer.)Mass(kg)	0.010
h	2.75 mm
rs(min)	0.30
Washer designation Shaft piloted	WS.81102
Washer designation Housing piloted	GS.81102
(Refer.)Mass(kg)	0.0100